

5G MIMO Omni ceiling Antenna



An ISO 9001: 2015 Certified Company

Technical Specifications:


Model No.	MIMOI5G014			
Gain	3/5 DBI			
Frequency Range	698-806	806-960	1710-2700	3300-4000 MHz
VSWR	≤ 2.0	≤ 1.8	≤ 1.8	≤ 2.0
Vertical Beamwidth	90°	85°	45°	35°
Horizontal Beamwidth	360°			
Polarization Type	± 45°			
PIM(IM3)	≤ -153 dBc @ 2 x 43 dBm			
Max Power	50 W			
Input Impedence	50 Ω			

Operating Temperature	-40 °C to +65°C
Relative Humidity	5 to 95%
Lightning Protection	DC ground

Connector	N-Female
Radome Material	ABS
Radome Color	White
Mounting Type	Ceiling Installation
Cable	RG 58
Cable Lengh	200 MM
Compliances	CE Compliant
ROHS	ROHS compliant
Brand	Gleam light India

Features

- ▣ Wide Frequency Range
- ▣ Excellent Electrical Performance
- ▣ Maintenance Free

CALL OR  **+91-8800386366**

Follow Us For More Updates **GLEAMLIGHTINDIA** /     

Info@gleamlightindia.com/www.gleamlightindia.in/gleamlightindia.com/www.gleamindia.com

GLEAM LIGHT INDIA PRIVATE LIMITED

12B Block -A, Behind Kanishka Garden, Amar Colony Main Rohtak Road Nangloi, New Delhi, Delhi 110041



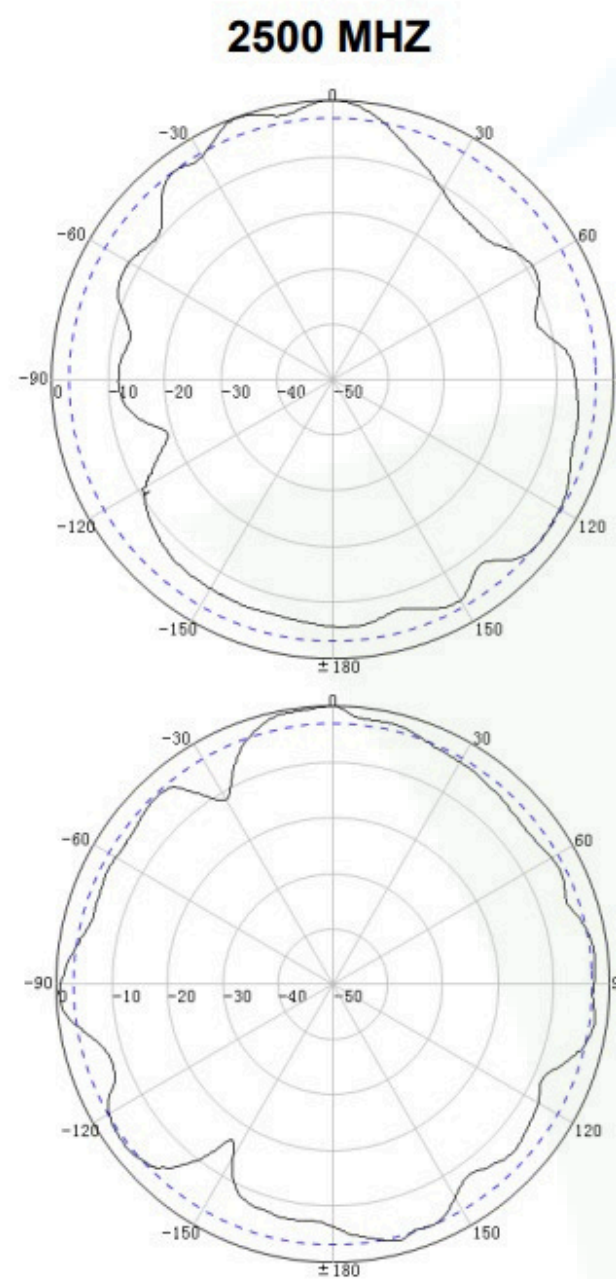
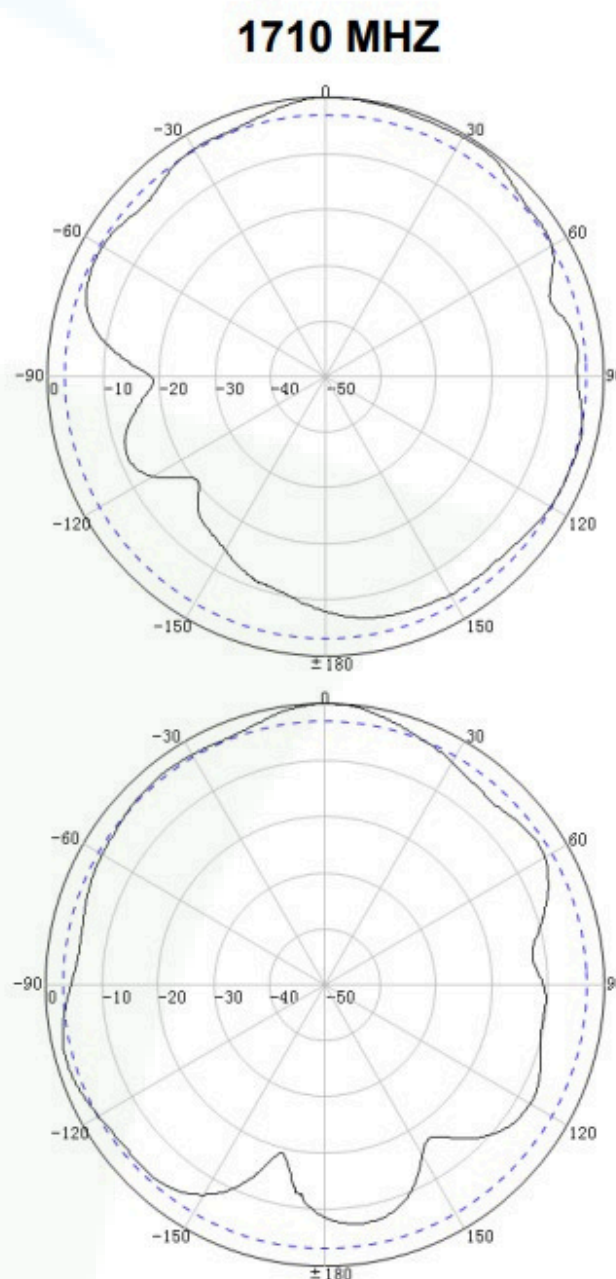
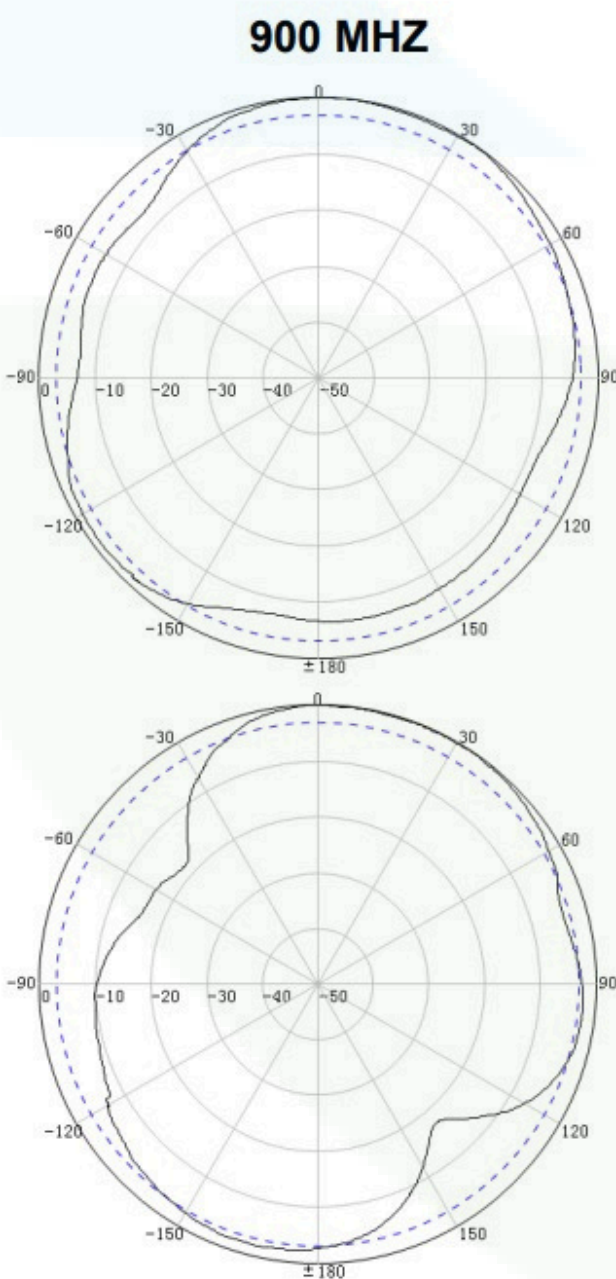
5G MIMO Omni ceiling Antenna



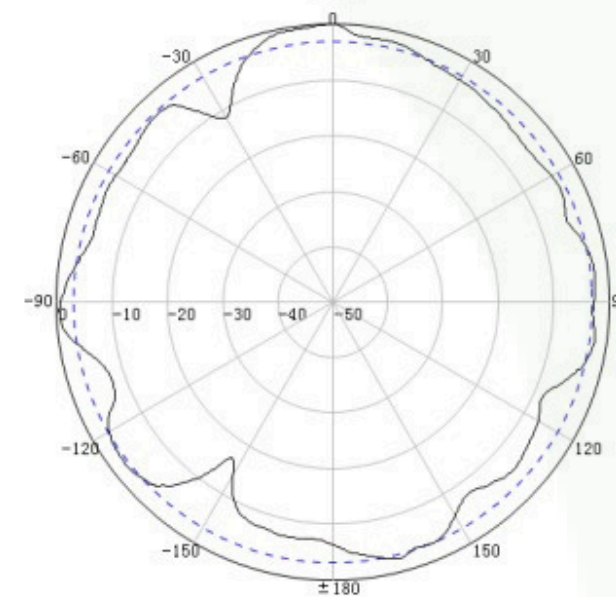
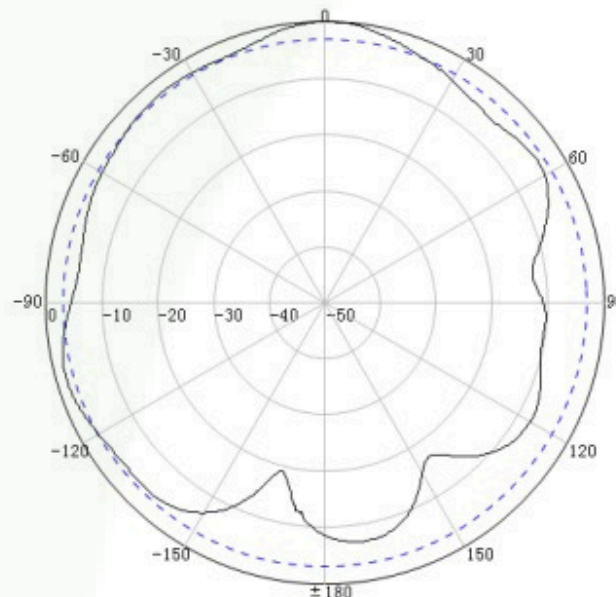
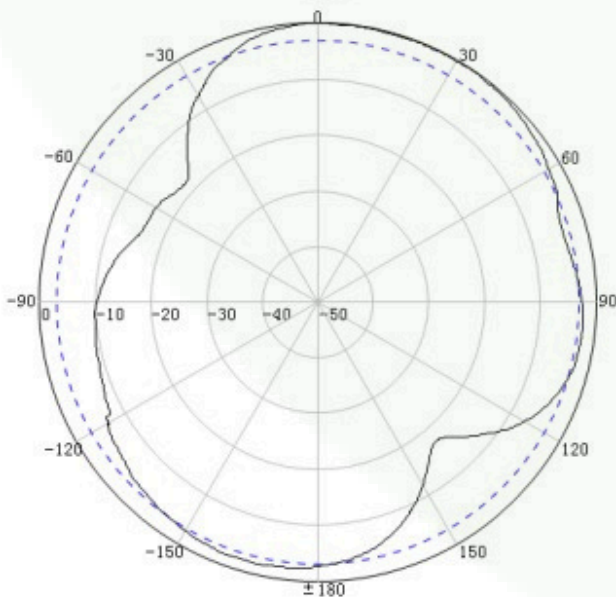
An ISO 9001: 2015 Certified Company



Radiation



Horizontal



Vertical

Images only for reference

CALL OR +91-8800386366

Follow Us For More Updates

Info@gleamlightindia.com/www.gleamlightindia.in/gleamlightindia.com/www.gleamindia.com

GLEAM LIGHT INDIA PRIVATE LIMITED



12B Block -A, Behind Kanishka Garden, Amar Colony Main Rohtak Road Nangloi, New Delhi, Delhi 110041